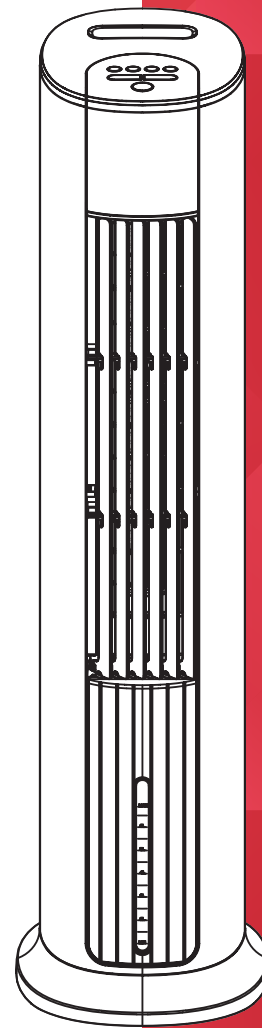




INSTRUCTION MANUAL



Power Tower Air Cooler

Model: DCEVPT8L

For domestic household use only.



IMPORTANT

THESE INSTRUCTIONS SHOULD BE READ CAREFULLY AND RETAINED FOR FUTURE REFERENCE.

Note also the information presented on the appliance

CAUTION: FAILURE TO FOLLOW THESE INSTRUCTIONS MAY CAUSE INJURY AND/OR DAMAGE AND MAY INVALIDATE YOUR WARRANTY

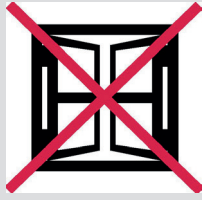
Please read the operating instructions carefully before using your fan for the first time and keep them in a safe place.

WARNING - This appliance must not be used in a bathroom.

WARNING - Do not use this appliance in the immediate surroundings of a bath, a shower or a swimming pool.

- If the mains lead is damaged it must only be replaced by the manufacturers service agent or a similarly qualified person in order to avoid a hazard.
- This appliance is not intended for use by persons (including children) with reduced physical, sensory or mental capabilities, or lack of experience and knowledge, unless they have been given supervision or instruction concerning use of the appliance by a person responsible for their safety.
- Children should be supervised to ensure they do not play with the appliance.
- Prior to cleaning or other maintenance, the appliance must be disconnected from the supply mains.
- Never immerse the appliance in water or other liquids.
- Do not place on soft, unstable or non-horizontal/angled surfaces.
- Never operate the appliance if a cable or connector has been damaged, after appliance malfunction or if the appliance was dropped or is otherwise damaged.
- If the mains lead is damaged it must only be replaced by the manufacturers service agent or a similarly qualified person in order to avoid a hazard.
- Please ask a professional service agent to repair the product. Improper repair may cause danger to users.
- Disconnect the appliance from mains power whenever it is not in use, before relocating it, and before cleaning.
- Operate the appliance only at the voltage specified on the rating label.
- Only connect the unit to a properly installed and easily accessible socket so that you can quickly disconnect the plug if necessary.
- Do not connect this product to the mains using an extension lead.
- This fan is only intended for **INDOOR RESIDENTIAL** applications. This fan should not be used for commercial or industrial or leisure applications or in small enclosed spaces.
- Never use the mains lead as a carrying strap or pulling lead.
- To avoid a fire or electrocution hazard, **NEVER** put the cord near heat registers, radiator, stoves or heaters.

- **DO NOT** cover cord with carpeting, throw rugs, runners, or similar coverings.
- **DO NOT** route cord under furniture or appliances. Take care to position the cord away from traffic areas and where it will not be a tripping hazard.
- **DO NOT** use the unit near windows or where water collects. Rain and water collection may lead to a risk of fire or electric shock.
- **DO NOT COVER.**
- Only operate this appliance with a minimum of 50cm clearance all around i.e. away from walls, furniture and overhanging objects such as curtains or a shelf.
- **WARNING:** To avoid danger of suffocation please remove all packaging materials particularly plastic and EPS and keep these away from vulnerable people, children and babies.
- **NEVER** drop or insert any object or fingers into any openings.
- Do not use the appliance in locations where paint, petrol or other flammable liquids are used or stored.
- Do not use bug sprays or other flammable cleansers/vapour sprays on or around the unit.
- Always switch off the unit and take the plug out of the socket
 - If you are not using the unit
 - Before you clean or carry out maintenance on the unit
 - If a fault occurs
 - In the event of an electrical storm.
- Avoid electromagnetic interference. Keep the unit at least 1 metre away from electrical appliances such as televisions & radios.



Exposed to the weather outdoors



Near water



If the power cable wires are frayed or cut



Where small children may be left unattended



If an extension lead may become overloaded



Where the power cable may be damaged



On a slope or uneven surface



Where there is risk of fire or close to a naked flame



Where it may be damaged by chemicals



Where there is a risk of interference by foreign objects



This product is not made for DIY repair



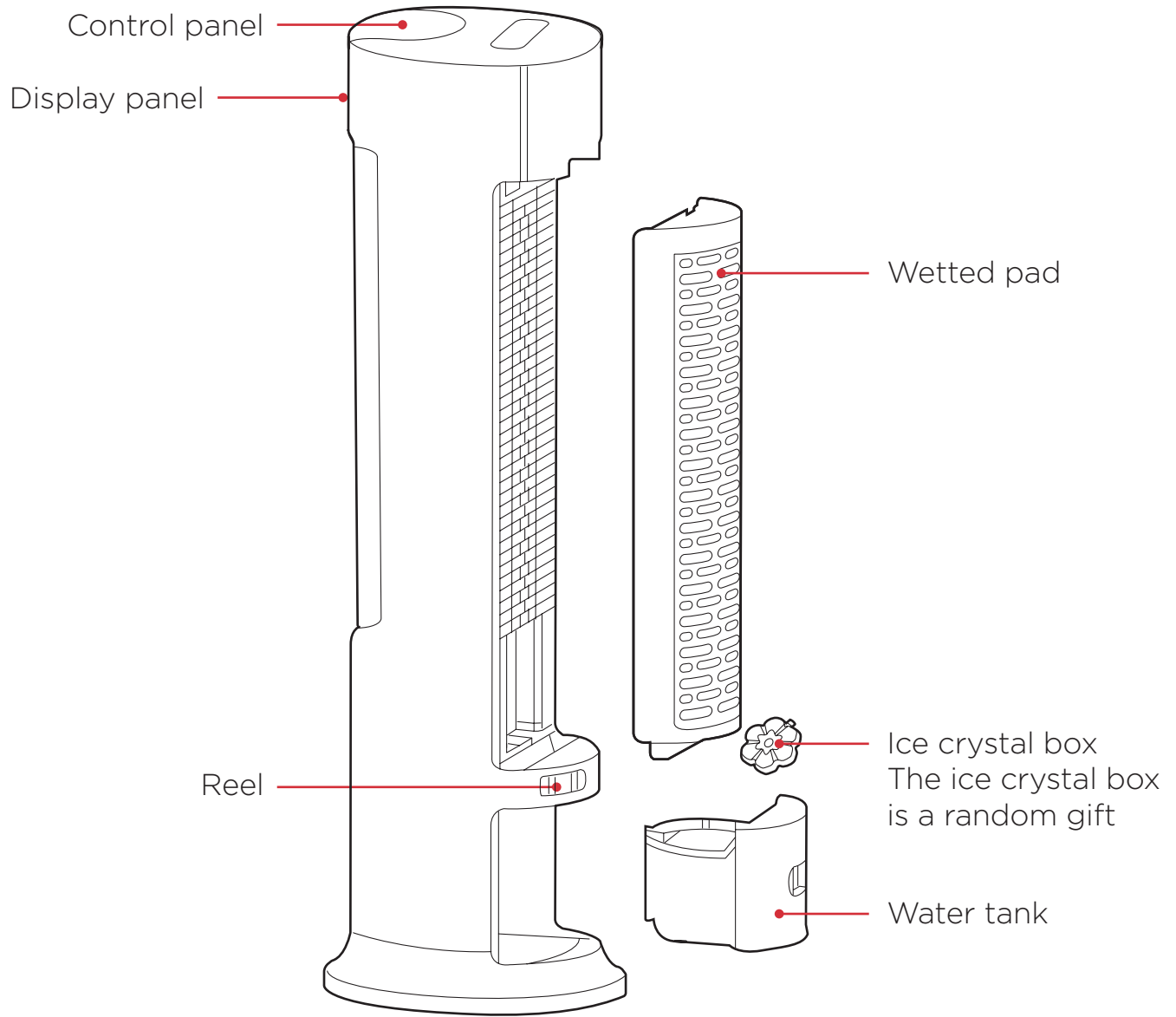
If there is a risk of water falling on the unit

Specification

Model no.	DCEVPT8L
Rated voltage	220V ~ 240V
Rated frequency	50Hz
Rated power	65W
Weight (net)	10.5kg
Motor type	DC
Noise level	40-64dB
Product size (w x d x h)	270 × 345 × 1050mm

- For greater precision, please always refer to the rating label placed on the product.

Parts

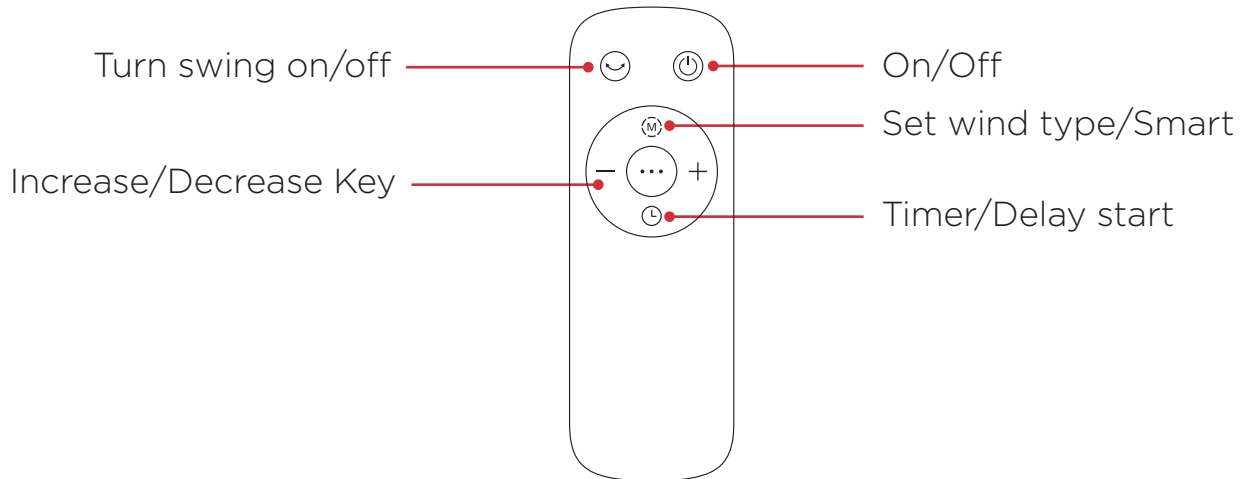


Fan Operation

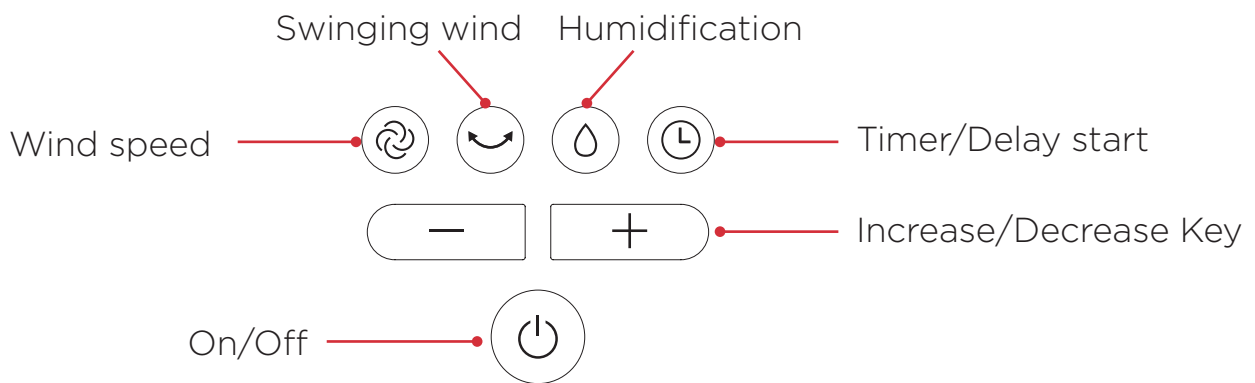
A. Battery Installation

Two AAA 1.5V batteries have been included. Please insert the batteries into the remote control, aligned to the direction of the polarity.

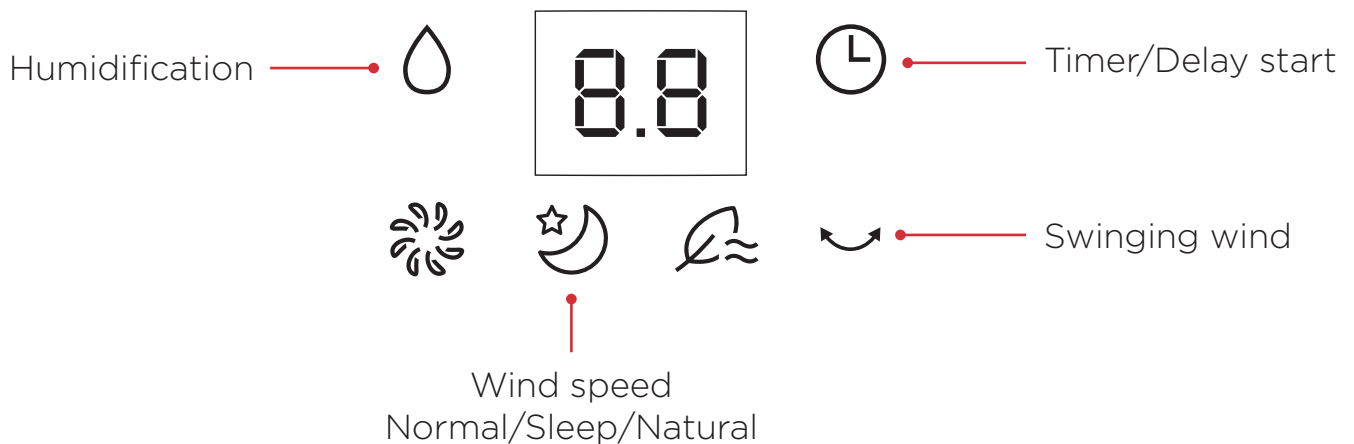
B. Remote control



C. Control panel



D. Display panel



Operation

ATTENTION:

PLEASE READ THIS MANUAL CAREFULLY BEFORE CONNECTING DEVICE TO THE POWER SUPPLY. CHECK THE VOLTAGE MATCHES THE UNIT RATING BEFORE OPERATING.

(RATED ELECTRIC POWER: 220V~240V; 50 HZ).

POWER ON/OFF

Press the **ON/OFF** button to turn on. To switch off, press the **ON/OFF** again.

SWINGING WIND

Touch the **SWINGING WIND** key to start or stop swinging wind.

HUMIDIFICATION

Short press in the start state to start or stop **HUMIDIFICATION**. In the dry or hot weather, start the humidification function to have a better experience.

WIND SPEED

Three wind classes available:

NORMAL WIND (level 4, normal wind indicator light is lit up),

SLEEP WIND (level 2, sleep wind indicator light is lit up),

NATURAL WIND (level 2, natural wind indicator light is lit up).

INCREASE/DECREASE KEY

Short press in the standby state. If the state is set at the scheduled start time, the scheduled startup time can be reduced / increased.

Short press in the start state. If the state is set at the timing shutdown time, the timing shutdown time can be reduced / increased. If the state is not set at the timing/reservation time, the wind speed can be reduced / increased. Note: When timing/reservation, press this key, the time will be reduced/in-creased by 0.5 hours every time for 0-3 hours, and 1 hour for 3-10 hours.

When adjusting the wind speed, short press this key to increase or decrease wind speed by 1 level every time. .

TIMER

In the start state, press this key, the display will flash. Set the time, and then the display flashes 3 times, this is, the timing is completed.

In the standby state, press this key, the display will flash. Set the time, and then the display flashes 3 times, this is, the reservation is completed.

After pressing this key, the wind class mode and class can be set at the same time.

Cancel timed operation:

Operation

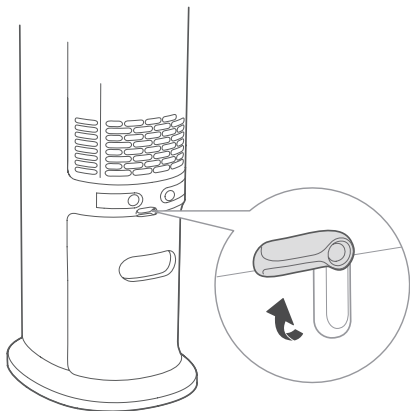
Cancel timing in shutdown state: when timing has been set, press the timing button (the pattern on the screen will flicker at this time), and then long press the timing button 2S within 6S to cancel timing.

Cancel timing in the startup state: when timing has been set, press the timing button (the pattern on the screen will flicker at this time), and press the timing button 2S again immediately to cancel timing.

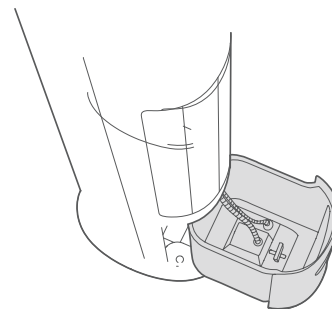
ADDING WATER IN WATER TANK AND INSTRUCTIONS FOR DISASSEMBLY AND WASHING

NOTE:

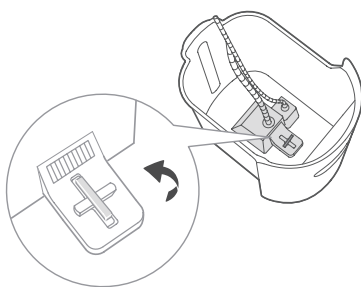
- ENSURE THAT MACHINE IS IDLE WHEN EMPTYING WATER TANK.
- WHEN ADDING WATER AND CLEANING, THE POWER PLUG SHOULD BE UNPLUGGED.
- BEFORE STARTING MACHINE, ENSURE THAT PUMP MODULE IS SECURED CORRECTLY, IF THE PUMP MODULE IS INCORRECTLY SECURED, THE MACHINE MAY OPERATE ABNORMALLY.
- THERE ARE TWO METHODS FOR ADDING WATER:
- EMPTY WATER TANK WITHOUT REMOVING PUMP MODULE, THEN ADD WATER TO THE WATER TANK.
- THE WATER TANK AND PUMP MODULE SHOULD BE SEPARATED, THE WATER IN THE WATER TANK SHOULD BE EMPTIED COMPLETELY, CLEAN WATER TANK AND ADD FRESH WATER.



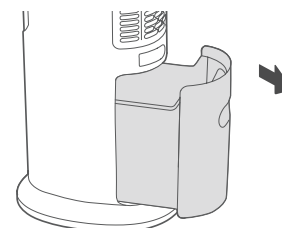
1. Turn the buckle 90 degrees clockwise to unlock the water tank.



2. Remove water tank and empty water.

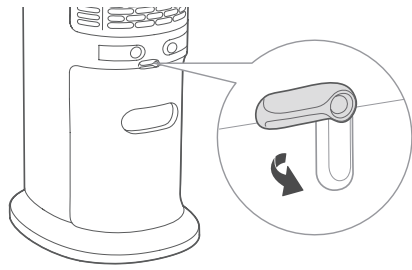


3. Separate water tank and pump module (including water tube) by turning knob 90 degrees counter clockwise.



4. Clean water tank and add fresh water.

Operation

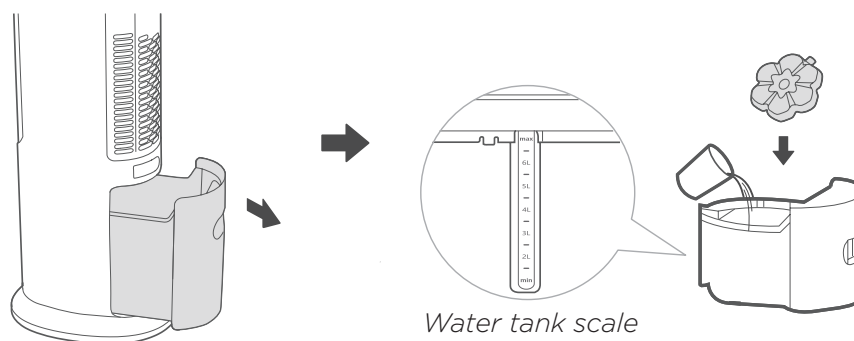


5. Reattach pump module to water tank and reinsert into machine, then turn buckle 90 degrees counter clockwise to lock.

USE OF ICE CRYSTAL BOX

NOTE:

- THE ICE CRYSTAL BOX CAN BE REUSED AND RECYCLED.
- DO NOT ATTEMPT TO OPEN ICE CRYSTAL BOX.
- THE ICE CRYSTAL BOX MATERIAL IS ENVIRONMENTALLY FRIENDLY, NON-TOXIC AND HARMLESS, AND CAN BE SAFELY PLACED IN THE FREEZER FOR FREEZING.
- THE FROZEN ICE CRYSTAL BOX CAN BE PLACED IN THE WATER TANK TO LOWER THE TEMPERATURE FROM THE AIR OUTLET.
- THE ICE CRYSTAL BOX CAN BE SUBSTITUTED BY ICE, WHICH ALSO HAS A COOLING EFFECT.
- WHEN ADDING WATER, ENSURE THAT THE WATER LEVEL OF THE WATER TANK DOES NOT EXCEED THE “MAX” (MAXIMUM) INDICATOR. IF THE WATER LEVEL IS LOWER THAN THE “MIN” (MINIMUM) INDICATOR, ADD WATER.



1. Pull out half of the water in the water tank from the bottom of the machine.

2. Remove the ice crystal box from the package and put it in the refrigerator for more than 3 hours. Place the frozen ice crystal box in the water tank and add water not exceeding the “MAX” (maximum) indicating scale.

Cleaning

Over time, dust can accumulate on the rear net which can affect the fan's performance. It is recommended to clean the fan at least once a month.

- 1 Turn the unit off and disconnect the appliance from the power supply.
- 2 Remove any dust build up with a soft brush, and gently clean the rear net with a vacuum cleaner.
- 3 Wipe the surface of the unit with a soft damp cloth. You may use a mild detergent for any stubborn marks.

IMPORTANT

The control panel and other parts must not come into contact with water or any other liquids.

Maintenance

If the unit fails to operate efficiently, is broken or other problems arise, unplug and do not operate. Ask for advice by calling your local after sales service agent or the Customer Care Centre on 1300 556 816 (AU)/ 0800 666 2824 (NZ).

Warranty

Please refer to the warranty card in the box for warranty information. For any troubleshooting advice, please contact the relative Customer Care Centre below.

Glen Dimplex Australia Pty Ltd

1340 Ferntree Gully Road,
Scoresby 3179, Victoria
Australia
Ph: 1300 556 816

Glen Dimplex New Zealand Ltd

38 Harris Road, East Tamaki,
Auckland 2013
New Zealand
Ph: 0800 666 2824



Recycling: Do not dispose of electrical appliances as unsorted municipal waste. Use separate collection facilities. Contact your local government for information regarding the collection systems available. If electrical appliances are disposed of in landfills or dumps, hazardous substances can leak into the ground water, polluting the food chain and damaging health and well-being.



Customer Care: 0800 666 2824
customer.care@glendimplex.co.nz
www.dimplex.co.nz

Supplied by Glen Dimplex New Zealand Ltd
38 Harris Road, East Tamaki, Auckland 2013

© Glen Dimplex New Zealand Ltd. All rights reserved. Material contained in this publication may not be reproduced in whole or in part, without prior permission in writing of Glen Dimplex New Zealand Ltd.